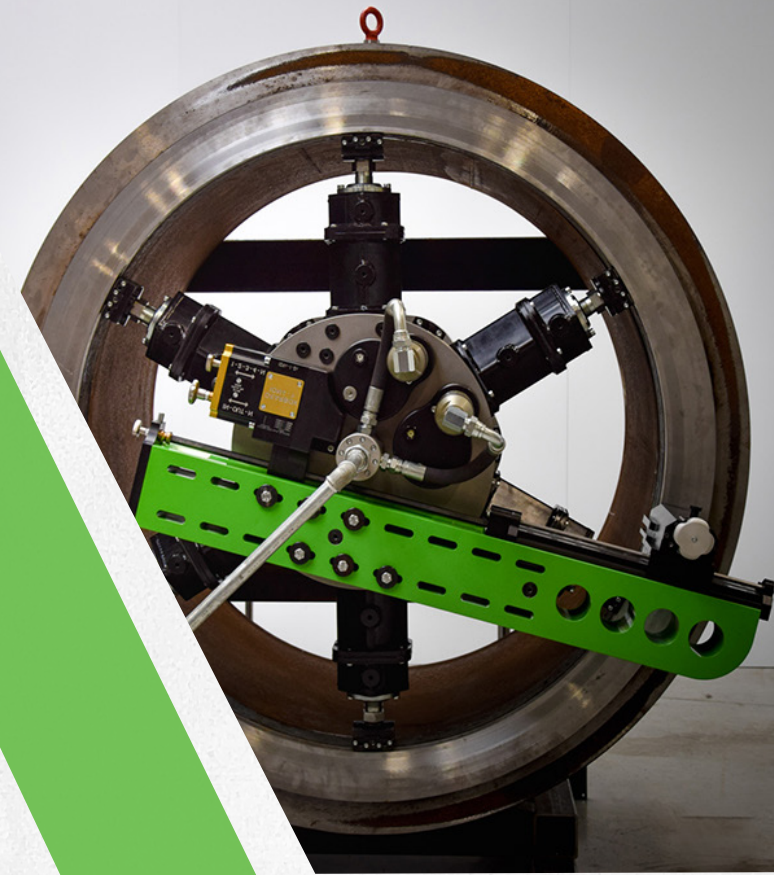
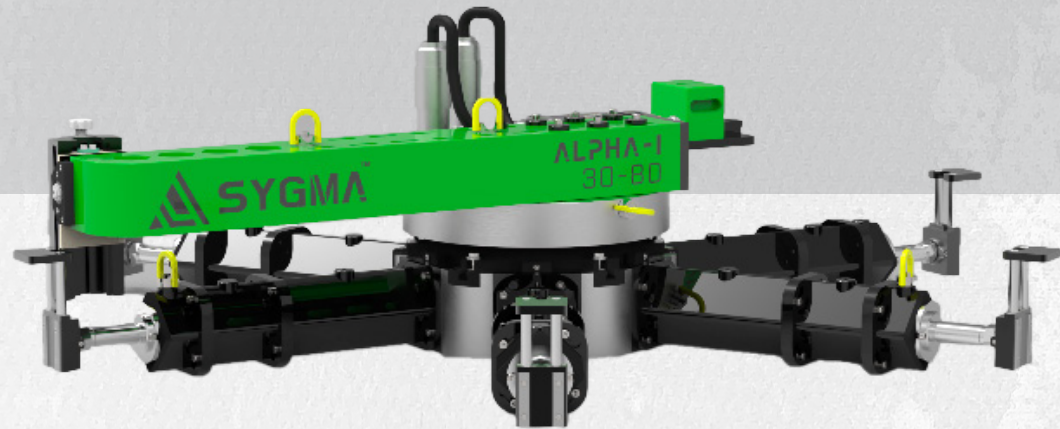


# ALPHA-I 30-80

The Alpha Series are available in different interchangeable drive configurations allowing you to tackle any on-site challenge.

Our unique and signature modular design also allows you to quickly and easily convert your Alpha-I series for all your orbital milling applications with our Legacy Milling unit.



## Machining Capacity

Machining capacity	mm	inch
Min. machining diameter	Ø 550	Ø 22*
Max. machining diameter	Ø 2139	Ø 84*

## Clamping Capacity

Clamping capacity	mm	inch
Min. Clamping diameter	Ø 735.93	Ø 29
Max. Clamping diameter	Ø 2139	Ø 84

\* Based on neutral cutting tool



## Dimensional Info

### Case Dimension

1200mm x 900mm x 600mm

### Pneumatic motor supply

1700 W / 2.28 HP

### Overall height Machine

670

### Pneumatic Power supply

3600 l/min

### Overall weight Machine

780 kg

## Key Features

- ⊙ Easy setup & operation (plug & play)
- ⊙ Optimised stability due to high torque output
- ⊙ Zero backlash
- ⊙ Multiple motorization available
- ⊙ Modular Design
- ⊙ Unique integrated safety features
- ⊙ Adjustable clamping feet
- ⊙ Customisable options
- ⊙ In- house engineered heavy duty Ion-4 Gearbox
- ⊙ NO-ROW™ clamping feet

## Accessories

- Automatic Toolpost - 360° rotatable with integrated end of stroke limiter (Top and Bottom) ⊙
- Heat Exchanger Back Facing Kit ⊙
- Heat Exchanger Mounting Plate Kit ⊙
- Outside Clamping extension ⊙
- Orbital Milling Unit (only available with a certain configuration) ⊙
- Remote control only available with certain options ⊙
- CNC Servo Drive arrangement ⊙
- Heavy duty (steel) case ⊙

## Completed With:

- ⊙ Toolkit
- ⊙ Case
- ⊙ Air Caddy
- ⊙ Hoist Equipment
- ⊙ CE Certificate
- ⊙ Manual

